

Appliance inlet for low voltage, Snap-in Mounting, Front Side, Solder or Quick-connect Terminal



70° C



Description

- Panel Mount:
- Snap-in version, Frontside
- 1 Function:
- Appliance Inlet, Pin temperature 70 °C, Protection class II, Solder or Quick-Connect

References

This type is Phase-out without alternate type
Last order date: 31.12.2012

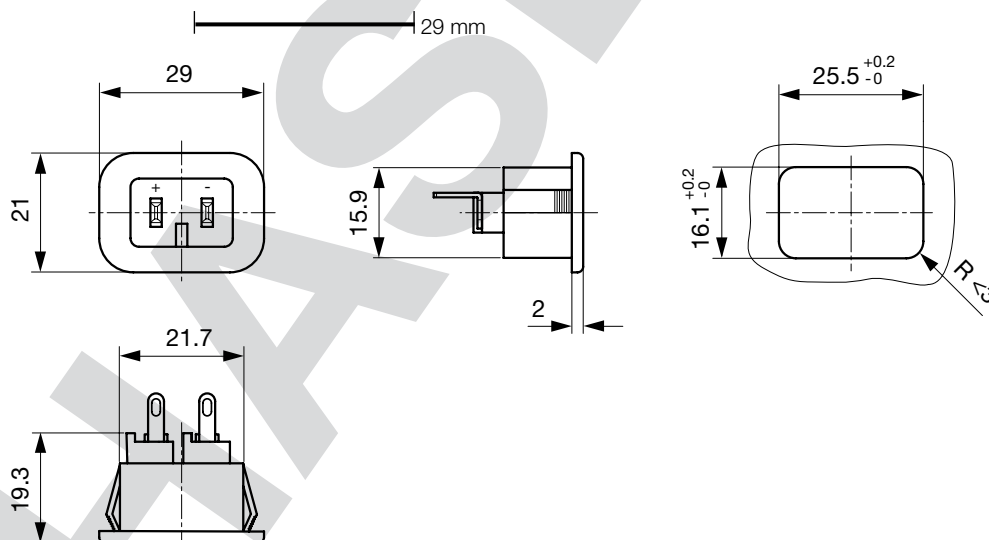
Weblinks

[pdf-datasheet](#), [html-datasheet](#), [General Product Information](#), [Approvals](#), [RoHS](#), [CHINA-RoHS](#), [Mating Connectors](#), [e-Shop](#), [SCHURTER-Stock-Check](#), [Distributor-Stock-Check](#), [CAD-Drawings](#), [Accessories](#), [Detailed request for product](#)

Technical Data

Ratings IEC	7 A / 48 VAC; 50 Hz
Allowable Operation Temp.	-25 °C to 70 °C
Degree of Protection	from front side IP 20 acc. to IEC 60529
Protection Class	Suitable for appliances with protection class II acc. to IEC 61140
Panel Thickness s	Snap-in version 4 mm
Material: Housing	PA6, black / grey / white, UL 94V-0

Dimensions







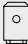
Length of the terminal please find at the order code configuration table

Config. Code

1201-A - - A B C 0- D - E F

The characters are placeholders for the correspondingly keys of selections from the key tables.

1201-A - - **A** B C 0- D - E F = Terminals

Terminal L		Configuration key
short solder terminal (L = 4.8 mm)		2
long solder terminal (L = 8.5 mm)		3
Blade terminal (2.8 x 0.8 mm)		7
Blade terminal (4.8 x 0.8 mm)		8
Blade terminal (6.3 x 0.8 mm)		9

1201-A - - A **B** C 0- D - E F = Terminals

Terminal N		Configuration key
short solder terminal (L = 4.8 mm)		2
long solder terminal (L = 8.5 mm)		3
Blade terminal (2.8 x 0.8 mm)		7
Blade terminal (4.8 x 0.8 mm)		8
Blade terminal (6.3 x 0.8 mm)		9

Symbols similar as in table A

1201-A - - A B **C** 0- D - E F = Terminals

Terminal Ground	Configuration key

Symbols similar as in table A

1201-A - - A B C 0- **D** - E F = Color

Color	Configuration key
Black	A
Grey	B
White	D

1201-A - - A B C 0- D - **E** F = Style

Style	Configuration key
snap-in standard type	3

1201-A - - A B C 0- D - E **F** = Orientation of Terminals

Orientation of Terminals	Configuration key
horizontal	A
vertical	B
vertical right	C

Packaging unit 100 Pcs

Mating Outlets/Connectors

Category / Description



[Plug Overview complete](#)

Appliance Outlet, Cord Connector (Rewireable), Straight, for Low Voltage

1251

[Plug further types to 1201-A](#)