

## Power Cord with IEC Plug C7, Angled



C7  
  
 70°C

**Description**

Power Supply Cord / Interconnection Cord, Protection class II, Pin temperature 70 °C, Cable

**Approvals**

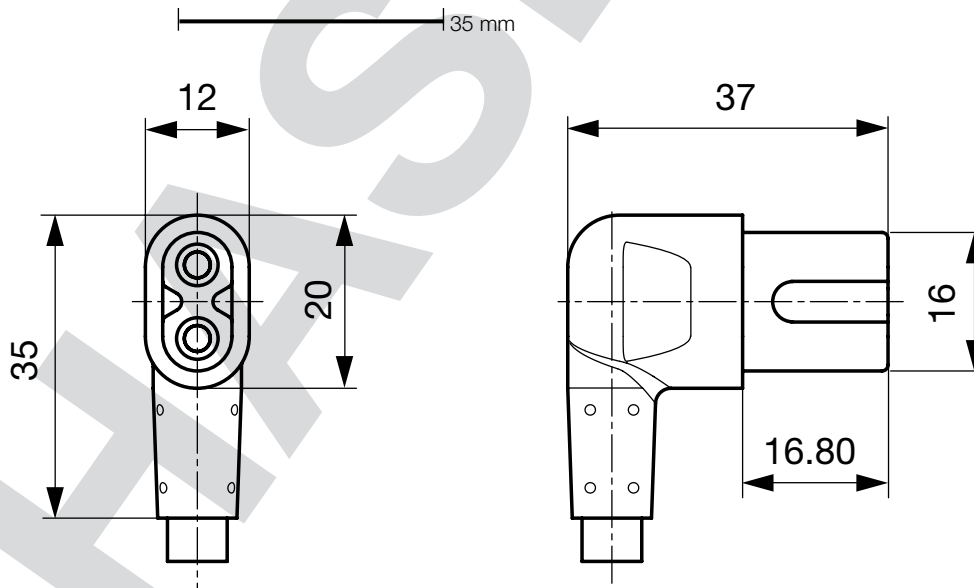
- CSA File Number: 1020530

**Weblinks**

[pdf](#), [html](#), [General Product Information](#), [Approvals](#), [RoHS](#), [CHINA-RoHS](#), [Mating Connectors](#), [e-Shop](#), [SCHURTER-Stock-Check](#), [Distributor-Stock-Check](#), [Accessories](#), [Detailed request for product](#)

**Technical Data**

Ratings IEC	2.5 A / 250 VAC; 50 Hz	Connector	C7 acc. to IEC/EN 60320-1
Ratings UL/CSA	2.5 A / 250 VAC; 60 Hz		UL 498, CSA C22.2 no. 42 (for cold conditions) pin-temperature 70 °C, 2.5 A, Protection Class 2
Dielectric Strength	> 3 kVDC between L-N > 1.5 kVAC between L/N-PE (1 min/50 Hz)		
Allowable Operation Temp.	-25 °C to 70 °C		
Degree of Protection	from front side IP 20 acc. to IEC 60529		
Protection Class	Suitable for appliances with protection class 2 acc. to IEC 61140		
Terminal	moulded		
Material: Housing	PVC, black or grey		

**Dimensions**

## Config. Code

Type - R - 2514 - D - Length

The characters are placeholders for the correspondingly keys of selections from the key tables. Typ is placed for the connector type on the second end, length is the cord length in mm.

Type - R - 2514 - D - Length = Cord end 2

### Cord end 2

zzzz, 2225, 2228, 2711, 2712, 2730, 2731, 4121, 4190, 607B, 608B, 609B

Type - R - 2514 - D - Length = cord type

### cord type

### Configuration key

H03VV-F 2x0,75mm2	A
H03VWH2-F 2x0,75mm2	B
H05VV-F 2x0,75mm2	D
H05VWH2-F 2x0,75mm2	E
SVT 2x18AWG	M
special cord	Z

Cord definition is detailed in general product information XXX

Type - R - 2514 - D - Length = Color

### Color

### Configuration key

Black	A
Grey	B

Type - R - 2514 - D - Length = Cord length

### Cord length

zzzz, 000500, 001000, 001500, 002000, 002500, 003000, 005000

Cord length in mm

## Mating Inlets/Plugs

### Category / Description

#### Appliance Inlet Overview complete

IEC Appliance Inlet C8, Screw-on Mounting, Rear Side, PCB-/Solder Terminal	0720-FP
IEC Appliance Inlet C8, Screw-on Mounting, Rear Side, Solder Terminal	0720-FS
IEC Appliance Inlet C8, Snap-in Mounting, Front Side, Solder Terminal	0721-PP
IEC Appliance Inlet C8, Snap-in Mounting, Front Side, Solder Terminal	0721-PS
IEC Appliance Inlet C8, insert Mounting, Solder, PCB or Quick-connect Terminal	2572
Appliance Inlet further types to2514	...

#### Interconnection Cord Overview complete

Interconnection Cord with IEC Plug C, Angled 70°C	2711
Interconnection Cord with IEC Plug C, Angled	2712
Interconnection Cord with IEC Plug C, Straight	2730
Interconnection Cord with IEC Plug C, Straight	2731
Interconnection Cord further types to2514	

#### Power Entry Module Overview complete

IEC Appliance Inlet C8 with Line Switch 1-pole	CMF1, CMF4
Power Entry Module further types to2514	



## Category / Description



Power Entry Module with line filter Overview complete

IEC Appliance Inlet C8 with Filter, Front Side Mounting

5008

Power Entry Module with line filter further types to2514

PHASE-OUT