

Interconnection Cord with IEC Plug C, Angled

**Description**

Interconnection Cord, Protection class II, Pin temperature 70 °C, Cable

Approvals

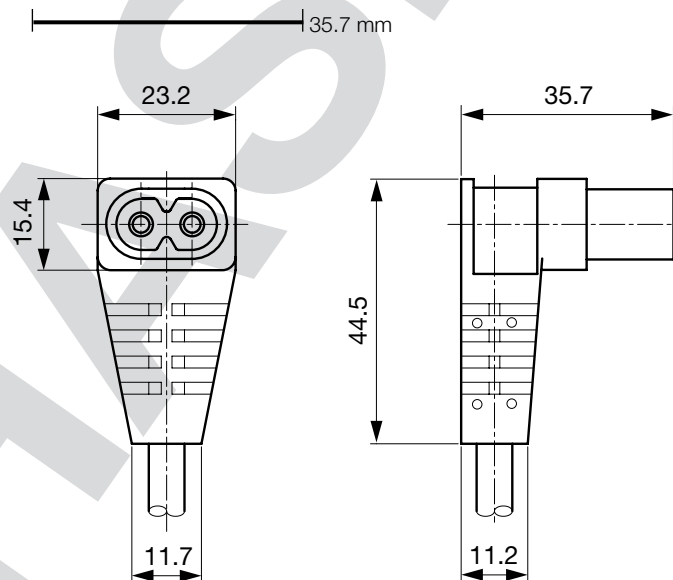
- VDE Certificate Number: 95767
- UL File Number: E45116
- CSA File Number: 1020530

Weblinks

[pdf](#), [html](#), [General Product Information](#), [Approvals](#), [RoHS](#), [CHINA-RoHS](#), [Mating Connectors](#), [e-Shop](#), [SCHURTER-Stock-Check](#), [Distributor-Stock-Check](#), [Accessories](#), [Detailed request for product](#)

Technical Data

Ratings IEC	2.5 A / 250 VAC; 50 Hz	Plug	C acc. to IEC/EN 60320-1 UL 498, CSA C22.2 no. 42 (for cold conditions) pin-temperature 70 °C, 2.5 A, Protection Class 2
Ratings UL/CSA	2.5 A / 250 VAC; 60 Hz		
Dielectric Strength	> 4 kVDC between L-N > 2 kVAC between L/N-PE (1 min/50 Hz)		
Allowable Operation Temp.	-25 °C to 70 °C		
Degree of Protection	from front side IP 20 acc. to IEC 60529		
Protection Class	Suitable for appliances with protection class 2 acc. to IEC 61140		
Terminal	moulded		
Material: Housing	PVC, black or grey		

Dimensions

Config. Code

2712 - R - Type - D - Length

The characters are placeholders for the correspondingly keys of selections from the key tables.
Typ steht für die Dose bzw. 2. Seite, Länge ist die Leitungslänge in mm.

2712 - R - Type - D - Length = cord type

cord type	Configuration key
H03VV-F 2x0,75mm ²	A
H03VWH2-F 2x0,75mm ²	B
H05VV-F 2x0,75mm ²	D
H05VWH2-F 2x0,75mm ²	E
SVT 2x18AWG	M

Cord definition is detailed in general product information XXX

2712 - R - Type - D - Length = Cord end 2

Cord end 2
zzzz, 2510, 2511, 4810

2712 - R - Type - D - Length = Color

Color	Configuration key
Black	A
Grey	B

2712 - R - Type - D - Length = Cord length

Cord length
zzzz, 000500, 001000, 001500, 002000, 002500, 003000, 005000

Cord length in mm

Mating Outlets/Connectors

Category / Description



Appliance Outlet Overview complete

IEC Appliance Outlet D, Snap-in Mounting, Front Side, Solder Terminal	5083
IEC Appliance Outlet D, Screw-on Mounting, Front Side, Solder Terminal	5088

Appliance Outlet further types to2712



Connector Overview complete

IEC Appliance Outlet D, Screw-on Mounting, Front Side, Solder Terminal	5084
IEC Appliance Outlet D, insert Mounting, Solder Terminal	5086

Connector further types to2712



Power Cord Overview complete

Power Cord with IEC Connector C7, Straight 70°C	2510
Power Cord with IEC Connector C7, Angled	2511
Power Cord with IEC Plug C7, Angled	2514
Power Cord with IEC Connector C7, Straight 70°C	4810

Power Cord further types to2712