

USA Power (Mains) Plug, Cord Connector (Rewireable), 3 pole, Straight

**Description**

attachment plug, Bolts and nuts

Approvals

- UL File Number: E15012
- CSA File Number: 2081

References

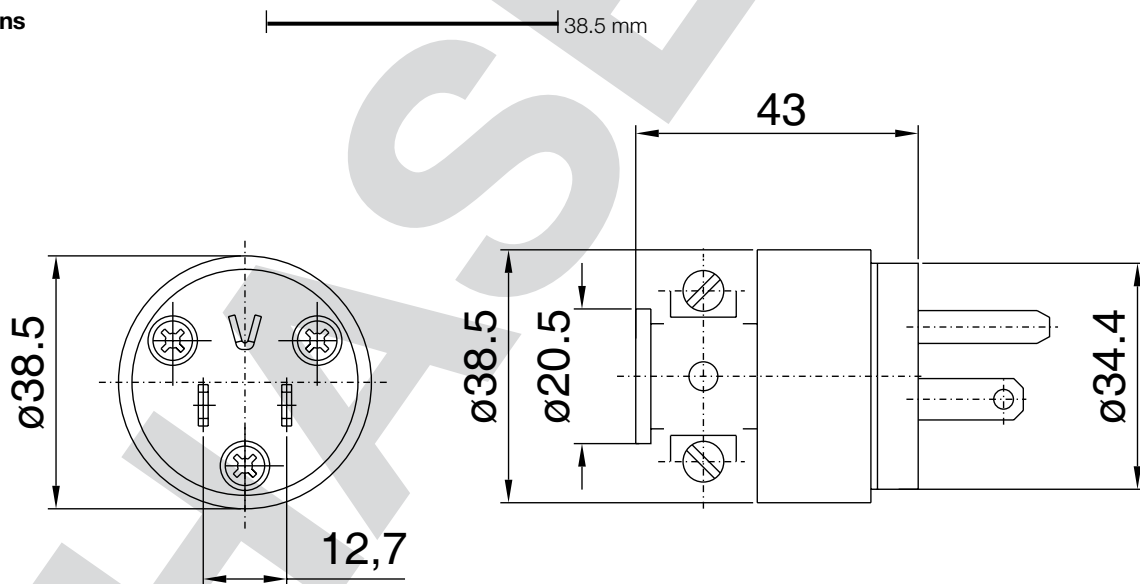
This type is Phase-out without alternate type
Last order possibility: 31.05.2011

Weblinks

[pdf](#), [html](#), [General Product Information](#), [Approvals](#), [RoHS](#), [CHINA-RoHS](#), [Mating Connectors](#), [e-Shop](#), [SCHURTER-Stock-Check](#), [Distributor-Stock-Check](#), [Accessories](#), [Detailed request for product](#)

Technical Data

Ratings IEC	15A / 125VAC; 50Hz
Ratings UL/CSA	15A / 125VAC; 60Hz
Allowable Operation Temp.	-20°C to 70°C
Degree of Protection	from front side IP 40 acc. to IEC 60529
Protection Class	Suitable for appliances with protection class 1 acc. to IEC 61140
Material: Housing	Stainless Steel

Dimensions

Config. Code

2867 - H - A B C 0 - D - E J

The characters are placeholders for the correspondingly keys of selections from the key tables.

2867 - **H** - A B C 0 - D - E J = Type

Type	Configuration key
protection class 1	X

2867 - H - **A** B C 0 - D - E J = Terminals

Terminal L	Configuration key
screw terminal	A

2867 - H - A **B** C 0 - D - E J = Terminals

Terminal N	Configuration key
screw terminal	A
Symbols similar as in table A	

2867 - H - A B **C** 0 - D - E J = Terminals

Terminal Ground	Configuration key
screw terminal	A
Symbols similar as in table A	

2867 - H - A B C 0 - **D** - E J = Color

Color	Configuration key
metal housing	0

2867 - H - A B C 0 - D - **E** J = Style

Style	Configuration key
for cord assembly	8

2867 - H - A B C 0 - D - E **J** = Condition

Condition	Configuration key
assembled	1