


## Power Cord with IEC Connector C9, Straight



C9  
  
 70 °C

**Description**

Power Supply Cord / Interconnection Cord, Protection class II, Pin temperature 70 °C, Cable

**Approvals**

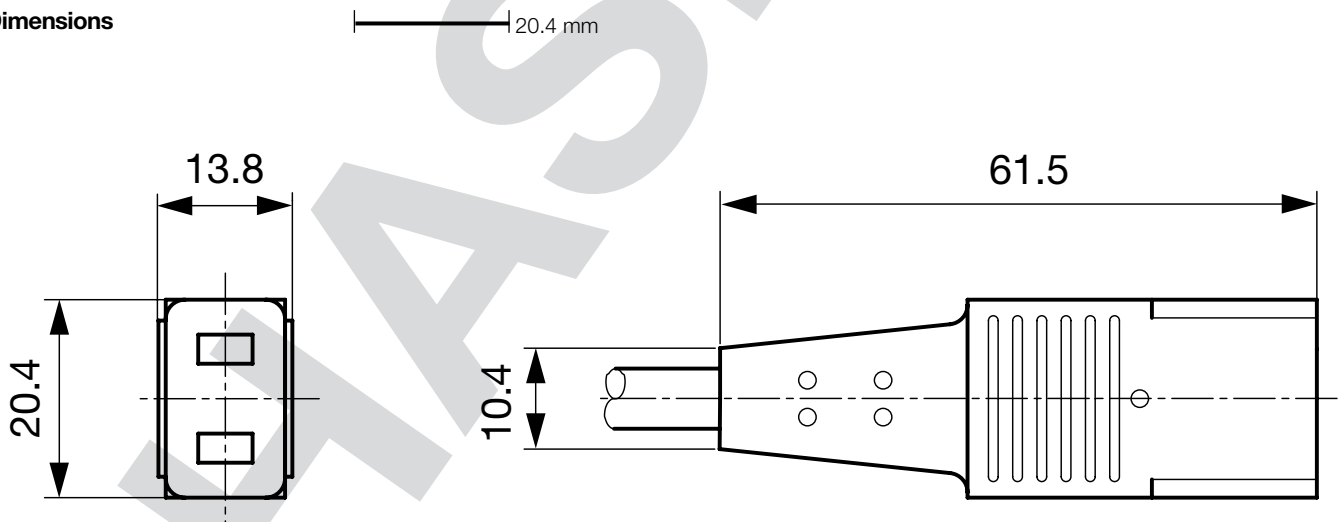
- UL File Number: E45116
- CSA File Number: 27325

**Weblinks**

[pdf](#), [html](#), [General Product Information](#), [Approvals](#), [RoHS](#), [CHINA-RoHS](#), [Mating Connectors](#), [e-Shop](#), [SCHURTER-Stock-Check](#), [Distributor-Stock-Check](#), [Accessories](#), [Detailed request for product](#)

**Technical Data**

Ratings IEC	6A / 250VAC; 50Hz	Connector	C9 acc. to IEC/EN 60320-1
Ratings UL/CSA	6A / 250VAC; 60Hz		UL 498, CSA C22.2 no. 42 (for cold conditions) pin-temperature 70 °C, 6A, Protection Class 2
Dielectric Strength	> 3 kVDC between L-N > 1.5 kVAC between L/N-PE (1 min/50Hz)		
Allowable Operation Temp.	-25 °C to 70 °C		
Degree of Protection	from front side IP 20 acc. to IEC 60529		
Protection Class	Suitable for appliances with protection class 2 acc. to IEC 61140		
Terminal	moulded		
Material: Housing	PVC, black or grey		

**Dimensions**

## Config. Code

Type - R - 3016 - D - Length

The characters are placeholders for the correspondingly keys of selections from the key tables. Typ is placed for the connector type on the second end, length is the cord length in mm.

Type - R - 3016 - D - Length = Cord end 2

### Cord end 2

zzzz, 2225, 2228, 2343, 419C, 4190, 4191, 607B, 608B, 609B

Type - R - 3016 - D - Length = cord type

### cord type

### Configuration key

cord type	Configuration key
H03VV-F 2x0,75mm2	A
H03VWH2-F 2x0,75mm2	B
H05VV-F 2x0,75mm2	D
H05VWH2-F 2x0,75mm2	E
SVT 2x18AWG	M

Cord definition is detailed in general product information XXX

Type - R - 3016 - D - Length = Color

### Color

### Configuration key

Black	A
Grey	B

Type - R - 3016 - D - Length = Cord length

### Cord length

zzzz, 000500, 001000, 001500, 002000, 002500, 003000, 005000

Cord length in mm

## Mating Inlets/Plugs

### Category / Description

#### Appliance Inlet Overview complete



IEC Appliance Inlet C10, Screw-on Mounting, Front or Rear Side, Solder or Quick-connect Terminal	6058
IEC Appliance Inlet C10, Screw-on Mounting, Front Side, Solder or Quick-connect Terminal	6075
IEC Appliance Inlet C10, Screw-on Mounting, Front Side, Solder or Quick-connect Terminal	6076

#### Appliance Inlet further types to3016