

Appliance Outlet "F-Horizontal", Snap-in Mounting, Front Side, Solder or Quick-connect Terminal



70° C

**Description**

- Panel Mount:
- Snap-in version, from front side
- Connector, Pin temperature 70 °C, protection class I or II
- Solder terminals or quick connect terminals

Approvals

- VDE Certificate Number: 40011090
- UL File Number: E57445
- CSA File Number: 27324

References

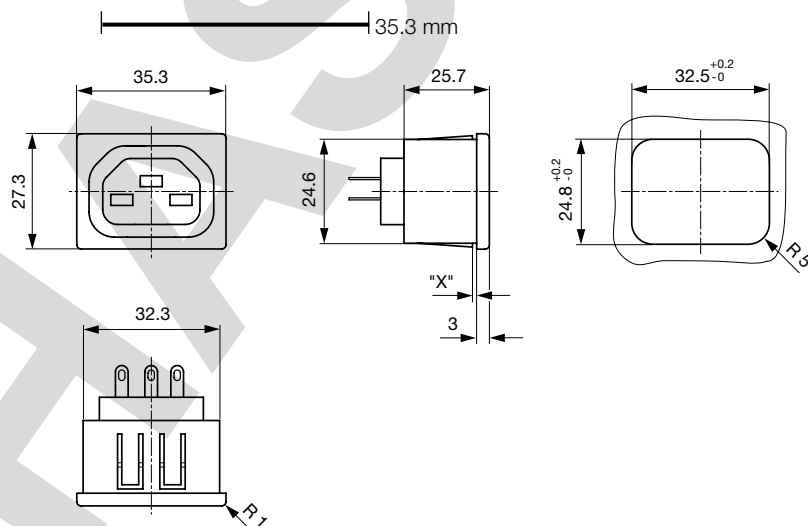
This type is Phase-out without alternate type
Last order possibility: 31.05.2011

Weblinks

[pdf](#), [html](#), [General Product Information](#), [Approvals](#), [RoHS](#), [CHINA-RoHS](#), [Mating Connectors](#), [e-Shop](#), [SCHURTER-Stock-Check](#), [Distributor-Stock-Check](#), [Accessories](#), [Detailed request for product](#)

Technical Data

Ratings IEC	10A / 250VAC; 50Hz
Ratings UL/CSA	15A / 250VAC; 60Hz
Dielectric Strength	> 4 kVAC between L-N > 2 kVAC between L/N-PE (1 min/50Hz)
Allowable Operation Temp.	-25 °C to 70 °C
Degree of Protection	from front side IP 20 acc. to IEC 60529
Protection Class	Suitable for appliances with protection class 1 or 2 acc. to IEC 61140
Panel Thickness s	Snap-in: 1/1.5/2/2.5/3 mm
Material: Housing	PA6, black / grey / white, UL 94V-0

Dimensions

Length of the terminal please find at the order code configuration table
Dimension "X" please ref. to table order code

Config. Code

4093 - H - A B C 0 - D - E G O

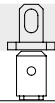
The characters are placeholders for the correspondingly keys of selections from the key tables.

4093 - **H** - A B C 0 - D - E G O = Type

Type	Configuration key
protection class 2	B
protection class 1	X

4093 - H - **A** B C 0 - D - E G O = Terminals

Terminal L	Configuration key
solder terminal	1
Blade terminal (6.3 x 0.8 mm)	9



4093 - H - A **B** C 0 - D - E G O = Terminals

Terminal N	Configuration key
solder terminal	1
Blade terminal (6.3 x 0.8 mm)	9

Symbols similar as in table A

4093 - H - A B **C** 0 - D - E G O = Terminals

Terminal Ground	Configuration key
without terminal	0
solder terminal	1
Blade terminal (6.3 x 0.8 mm)	9

Symbols similar as in table A

4093 - H - A B C 0 - **D** - E G O = Color

Color	Configuration key
Black	A
Grey	B
White	D

4093 - H - A B C 0 - D - **E** G O = Style

Style	Configuration key
snap-in (x=panel thickness)	4

4093 - H - A B C 0 - D - E **G** O = Dimension X

Dimension "X"	Configuration key
10	
15	
20	
25	
30	

The dimension "X" is displayed in (1/10 mm). This information is also valid for the order code

4093 - H - A B C 0 - D - E G **O** = Features

Features	Configuration key

Packaging unit 50 Pcs

Mating Inlets/Plugs

Category / Description



[Interconnection Cord Overview complete](#)

Interconnection Cord with Plug "E-Horizontal", Straight	0409
Interconnection Cord with Plug "G-Horizontal", Straight	409B

[Interconnection Cord further types to4093](#)