

Interconnection Cord with Plug "G-Horizontal", Straight



70 °C

**Description**

Interconnection Cord,  
- Protection class II, Pin temperature 70 °C, Cable

**Approvals**

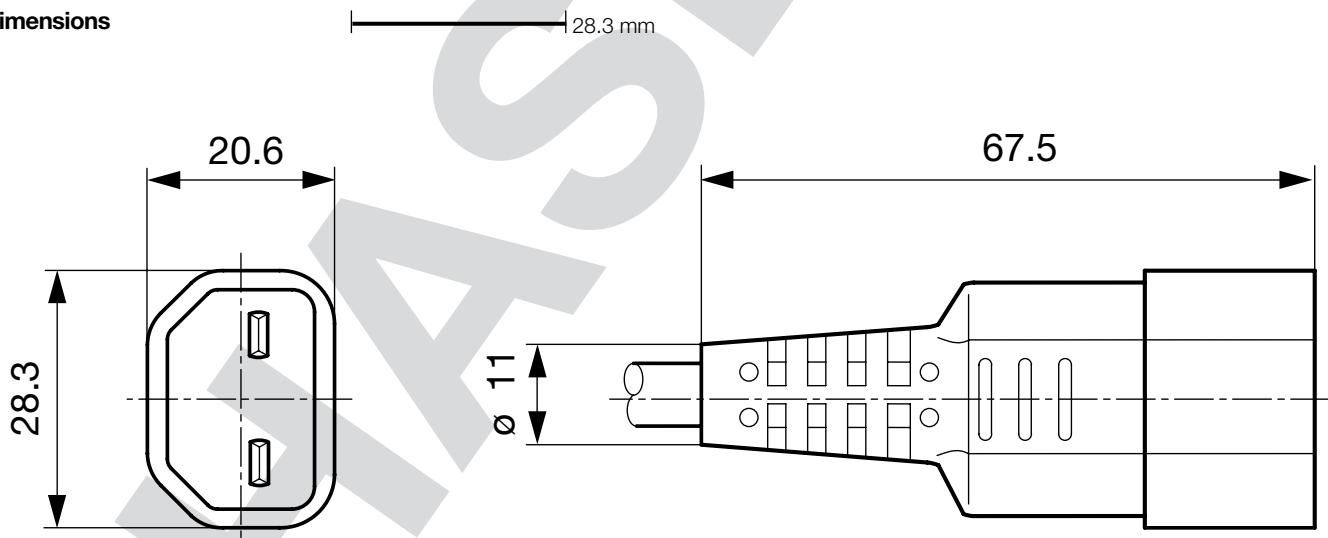
- CSA File Number: 32338

**Weblinks**

[pdf](#), [html](#), [General Product Information](#), [Approvals](#), [RoHS](#), [CHINA-RoHS](#), [Mating Connectors](#), [e-Shop](#), [SCHURTER-Stock-Check](#), [Distributor-Stock-Check](#), [Accessories](#), [Detailed request for product](#)

**Technical Data**

Ratings IEC	10 A / 250 VAC; 50 Hz
Ratings UL/CSA	15 A / 250 VAC; 60 Hz
Dielectric Strength	> 2 kVDC between L-N > 2 kVAC between L/N-PE (1 min/50 Hz)
Allowable Operation Temp.	-25 °C to 70 °C
Degree of Protection	from front side IP 20 acc. to IEC 60529
Protection Class	Suitable for appliances with protection class 2 acc. to IEC 61140
Terminal	moulded
Material: Housing	PVC, black or grey

**Dimensions**

## Config. Code

409B - R - Type - D - Length

The characters are placeholders for the correspondingly keys of selections from the key tables.  
Typ steht für die Dose bzw. 2. Seite, Länge ist die Leitungslänge in mm.

409B - **R** - Type - D - Length = cord type

cord type	Configuration key
H03VV-F 2x0,75mm <sup>2</sup>	A
H03VWH2-F 2x0,75mm <sup>2</sup>	B
H05VV-F 2x0,75mm <sup>2</sup>	D
H05VWH2-F 2x0,75mm <sup>2</sup>	E
H05VV-F 2x1,0mm <sup>2</sup>	F
SVT 2x18AWG	M

Cord definition is detailed in general product information XXX

409B - R - **Type** - D - Length = Cord end 2

Cord end 2
zzzz, 0301, 3113

409B - R - Type - **D** - Length = Color

Color	Configuration key
Black	A
Grey	B

409B - R - Type - D - **Length** = Cord length

Cord length
zzzz, 000500, 001000, 001500, 002000, 002500, 003000, 005000

Cord length in mm

PHASE