

Power Supply Cord with Contour Power (Mains) Plug, Straight



Contour plug Contour plug

CEE 7 / XVII / DINCEE 7 / XVII / DIN
49406CEE 7 / XVII / DINCEE 7 / XVII / DIN
49406**Description**

- Power Supply Cord, Protection class II, Pin temperature 70 °C, Cable

ReferencesWe recommend for new applications the new type [2228](#)**Weblinks**

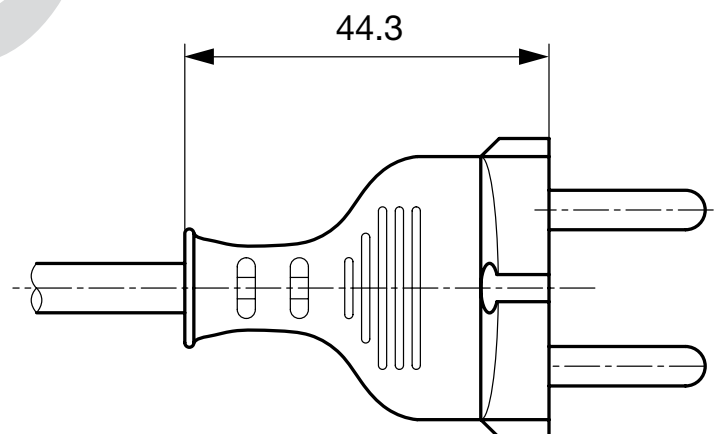
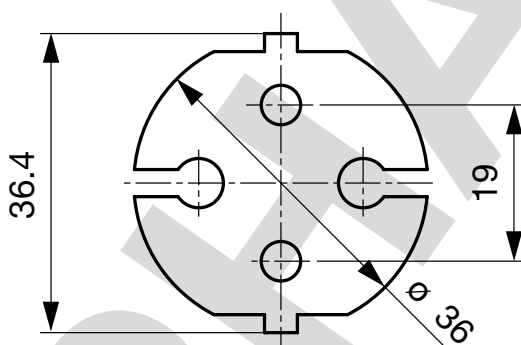
[pdf](#), [html](#), [General Product Information](#), [Approvals](#), [RoHS](#), [CHINA-RoHS](#), [Mating Connectors](#), [e-Shop](#), [SCHURTER-Stock-Check](#), [Distributor-Stock-Check](#), [Accessories](#), [Detailed request for product](#)

Technical Data

| | |
|---------------------------|---|
| Ratings IEC | 16A / 250VAC; 50Hz |
| Ratings UL/CSA | 16A / 250VAC; 60Hz |
| Dielectric Strength | > 2kVDC between L-N > 2kVAC between L/N-PE (1 min/50Hz) |
| Allowable Operation Temp. | -25°C to 70°C |
| Degree of Protection | from front side IP 20 acc. to IEC 60529 |
| Protection Class | Suitable for appliances with protection class 2 acc. to IEC 61140 |
| Terminal | moulded |
| Material: Housing | PVC, black or grey |

Dimensions

36.4 mm



Config. Code

4142 - R - Type - D - Length

The characters are placeholders for the correspondingly keys of selections from the key tables.
Typ steht für die Dose bzw. 2. Seite, Länge ist die Leitungslänge in mm.

4142 - R - Type - D - Length = cord type

| cord type | Configuration key |
|---------------------------------|-------------------|
| H03VV-F 2x0,75mm ² | A |
| H03VWH2-F 2x0,75mm ² | B |
| H05VV-F 2x0,75mm ² | D |
| H05VWH2-F 2x0,75mm ² | E |
| H05VV-F 2x1,0mm ² | F |
| special cord | Z |

Cord definition is detailed in general product information XXX

4142 - R - Type - D - Length = Cord end 2

| Cord end 2 |
|--|
| zzzz, 0301, 2510, 2511, 3016, 3113, 3127, 3130, 4810, 9011 |

4142 - R - Type - D - Length = Color

| Color | Configuration key |
|-------|-------------------|
| Black | A |
| Grey | B |

4142 - R - Type - D - Length = Cord length

| Cord length |
|--------------------------------------|
| zzzz, 001500, 002000, 002500, 005000 |

Cord length in mm