

Interconnection Cord with Plug 6A 3pole, Straight



70 °C

**Description**

Interconnection Cord, Protection class I, Pin temperature 70 °C, Cable

Approvals

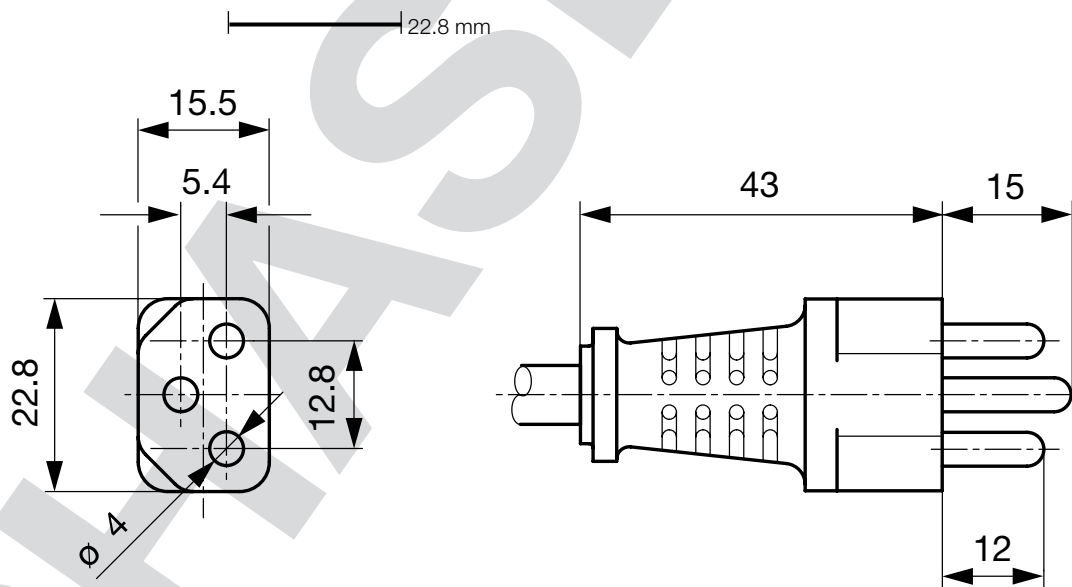
- UL File Number: E45116
- CSA File Number: 32338

Weblinks

[pdf](#), [html](#), [General Product Information](#), [Approvals](#), [RoHS](#), [CHINA-RoHS](#), [Mating Connectors](#), [e-Shop](#), [SCHURTER-Stock-Check](#), [Distributor-Stock-Check](#), [Accessories](#), [Detailed request for product](#)

Technical Data

| | |
|---------------------------|---|
| Ratings IEC | 6 A / 250VAC; 50Hz |
| Ratings UL/CSA | 6 A / 250VAC; 60Hz |
| Dielectric Strength | > 2kVDC between L-N > 2kVAC between L/N-PE (1 min/50Hz) |
| Allowable Operation Temp. | -25 °C to 70 °C |
| Degree of Protection | from front side IP 20 acc. to IEC 60529 |
| Protection Class | Suitable for appliances with protection class 1 acc. to IEC 61140 |
| Terminal | moulded |
| Material: Housing | PVC, black or grey |

Dimensions

Config. Code

6002 - R - Type - D - Length

The characters are placeholders for the correspondingly keys of selections from the key tables.
Typ steht für die Dose bzw. 2. Seite, Länge ist die Leitungslänge in mm.

6002 - R - Type - D - Length = cord type

| cord type | Configuration key |
|-------------|-------------------|
| SVT 3x18AWG | N |
| SJT 3x18AWG | P |

Cord definition is detailed in general product information XXX

6002 - R - Type - D - Length = Cord end 2

| Cord end 2 |
|------------|
| zzzz |

6002 - R - Type - D - Length = Color

| Color | Configuration key |
|-------|-------------------|
| Black | A |
| Grey | B |

6002 - R - Type - D - Length = Cord length

| Cord length |
|--|
| zzzz, 000500, 001000, 001500, 002000, 002500, 003000, 005000 |

Cord length in mm

Mating Outlets/Connectors

Category / Description



[Appliance Outlet Overview complete](#)

| | |
|--|------|
| IEC Appliance Outlet 6A 2- or 3-pole, Screw-on Mounting, Front Side, Solder Terminal | 5177 |
| IEC Appliance Outlet 6A 2- or 3-pole, Screw-on Mounting, Front Side, Solder Terminal | 5178 |

[Appliance Outlet further types to6002](#)