

Interconnection Cord with Plug 6A 2-pole, Angled



### Description

Interconnection Cord,  
- Protection class II, Pin temperature 70 °C, Cable

### Approvals

- CSA File Number: 32338

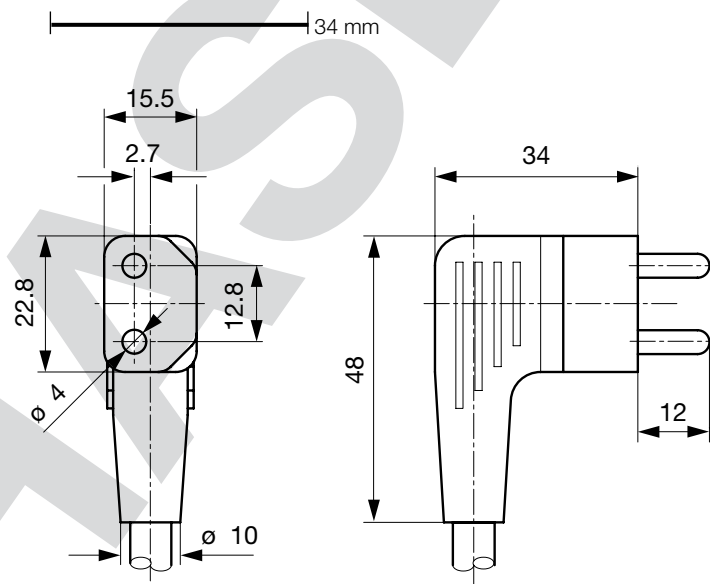
### Weblinks

[pdf](#), [html](#), [General Product Information](#), [Approvals](#), [RoHS](#), [CHINA-RoHS](#), [Mating Connectors](#), [e-Shop](#), [SCHURTER-Stock-Check](#), [Distributor-Stock-Check](#), [Accessories](#), [Detailed request for product](#)

### Technical Data

Ratings IEC	6 A / 250 VAC; 50 Hz
Ratings UL/CSA	6 A / 250 VAC; 60 Hz
Dielectric Strength	> 2 kVDC between L-N > 2 kVAC between L/N-PE (1 min/50 Hz)
Allowable Operation Temp.	-25 °C to 70 °C
Degree of Protection	from front side IP 20 acc. to IEC 60529
Protection Class	Suitable for appliances with protection class 2 acc. to IEC 61140
Terminal	moulded
Material: Housing	PVC, black or grey

### Dimensions



## Config. Code

### 604B - R - Type - D - Length

The characters are placeholders for the correspondingly keys of selections from the key tables.  
Typ steht für die Dose bzw. 2. Seite, Länge ist die Leitungslänge in mm.

### 604B - R - Type - D - Length = cord type

cord type	Configuration key
SVT 2x18AWG	M

Cord definition is detailed in general product information XXX

### 604B - R - Type - D - Length = Cord end 2

Cord end 2
zzzz

### 604B - R - Type - D - Length = Color

Color	Configuration key
Black	A
Grey	B

### 604B - R - Type - D - Length = Cord length

Cord length
zzzz, 000500, 001000, 001500, 002000, 002500, 003000, 005000

Cord length in mm