

Power Cord with IEC Connector C9, Angled



C9



70 °C

**Description**

Power Supply Cord / Interconnection Cord, Protection class II, Pin temperature 70 °C, Cable

Approvals

- VDE Certificate Number: 1058
- UL File Number: E45116
- CSA File Number: 27325

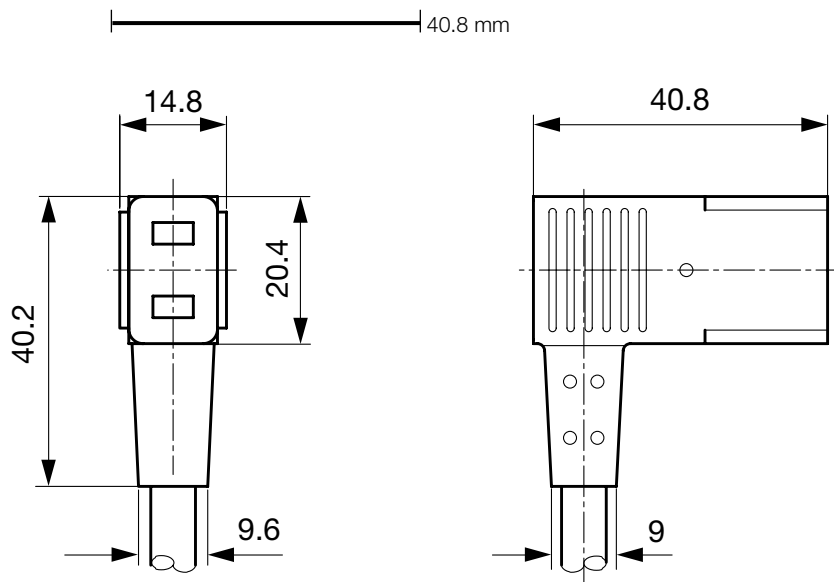
Weblinks

[pdf](#), [html](#), [General Product Information](#), [Approvals](#), [RoHS](#), [CHINA-RoHS](#), [Mating Connectors](#), [e-Shop](#), [SCHURTER-Stock-Check](#), [Distributor-Stock-Check](#), [Accessories](#), [Detailed request for product](#)

Technical Data

Ratings IEC	6 A / 250 VAC; 50 Hz
Ratings UL/CSA	6 A / 250 VAC; 60 Hz
Dielectric Strength	> 2 kVDC between L-N > 2 kVAC between L/N-PE (1 min/50 Hz)
Allowable Operation Temp.	-25 °C to 70 °C
Degree of Protection	from front side IP 20 acc. to IEC 60529
Protection Class	Suitable for appliances with protection class 2 acc. to IEC 61140
Terminal	moulded
Material: Housing	PVC, black or grey

Connector	C9 acc. to IEC/EN 60320-1 UL 498, CSA C22.2 no. 42 (for cold conditions) pin-temperature 70 °C, 6 A, Protection Class 2
-----------	--

Dimensions

Config. Code

Type - R - 9011 - D - Length

The characters are placeholders for the correspondingly keys of selections from the key tables. Typ is placed for the connector type on the second end, length is the cord length in mm.

Type - R - 9011 - D - Length = Cord end 2

Cord end 2

zzzz, 2225, 2228, 2343, 4121, 419C, 4190, 4191, 607B, 608B, 609B

Type - R - 9011 - D - Length = cord type

cord type

Configuration key

H03VV-F 2x0,75mm2	A
H03VWH2-F 2x0,75mm2	B
H05VV-F 2x0,75mm2	D
H05VWH2-F 2x0,75mm2	E
SVT 2x18AWG	M

Cord definition is detailed in general product information XXX

Type - R - 9011 - D - Length = Color

Color

Configuration key

Black	A
Grey	B

Type - R - 9011 - D - Length = Cord length

Cord length

zzzz, 000500, 001000, 001500, 002500, 003000, 005000

Cord length in mm

Mating Inlets/Plugs

Category / Description

Appliance Inlet Overview complete



IEC Appliance Inlet C10, Screw-on Mounting, Front or Rear Side, Solder or Quick-connect Terminal	6058
IEC Appliance Inlet C10, Screw-on Mounting, Front Side, Solder or Quick-connect Terminal	6075
IEC Appliance Inlet C10, Screw-on Mounting, Front Side, Solder or Quick-connect Terminal	6076

Appliance Inlet further types to9011