

Magnetically Compensated SMD Choke, compact



See below:  
[Approvals and Compliances](#)

**Description**

- Current compensated choke
- SMD-terminals
- Vertical and horizontal version

**Applications**

- Attenuation of common mode interferences
- Designed for 230/400 VAC applications
- Chopper amplifiers
- DC drives and stepper motor controls
- Switching power supplies

**Weblinks**

[pdf data sheet](#), [html datasheet](#), [General Product Information](#), [Approvals](#), [Distributor-Stock-Check](#), [Detailed request for product](#), [SPICE Library](#)

**Technical Data**

Rated voltage	up to 250 VAC	Test Voltage	1.5 kV, 50 Hz, 1 min, winding to winding
Rated Current	0.4 - 4 A @ Ta 40 °C	Isolation Voltage	2 kV eff., winding to ambient
Rated inductance	0.5 - 39 mH, Tol. -30% +50%	Climatic Category	25/100/21 acc. to IEC 60068-1
Power Operating Frequency	50 / 60 Hz	Allowable Operation Temp.	-25 °C to 100 °C
Terminal Type	SMD		
Weight	2 - 6 g		
Material	UL 94V-0		
Sealing Compound	UL 94V-0		

**Approvals and Compliances**

Detailed information on product approvals, code requirements, usage instructions and detailed test conditions can be looked up in [Details about Approvals](#)

SCHURTER products are designed for use in industrial environments. They have approvals from independent testing bodies according to national and international standards. Products with specific characteristics and requirements such as required in the automotive sector according to IATF 16949, medical technology according to ISO 13485 or in the aerospace industry can be offered exclusively with customer-specific, individual agreements by SCHURTER.

**Approvals**

The approval mark is used by the testing authorities to certify compliance with the safety requirements placed on electronic products.

Approval Reference Type: DKFS

Approval Logo	Certificates	Certification Body	Description
	<a href="#">UL Approvals</a>	UL	UR File Number: E72928






**Application standards**

Application standards where the product can be used

Organization	Design	Standard	Description
	Suitable for applications acc.	IEC/UL 62368-1	Audio/video, information and communication technology equipment - Part 1: Safety requirements

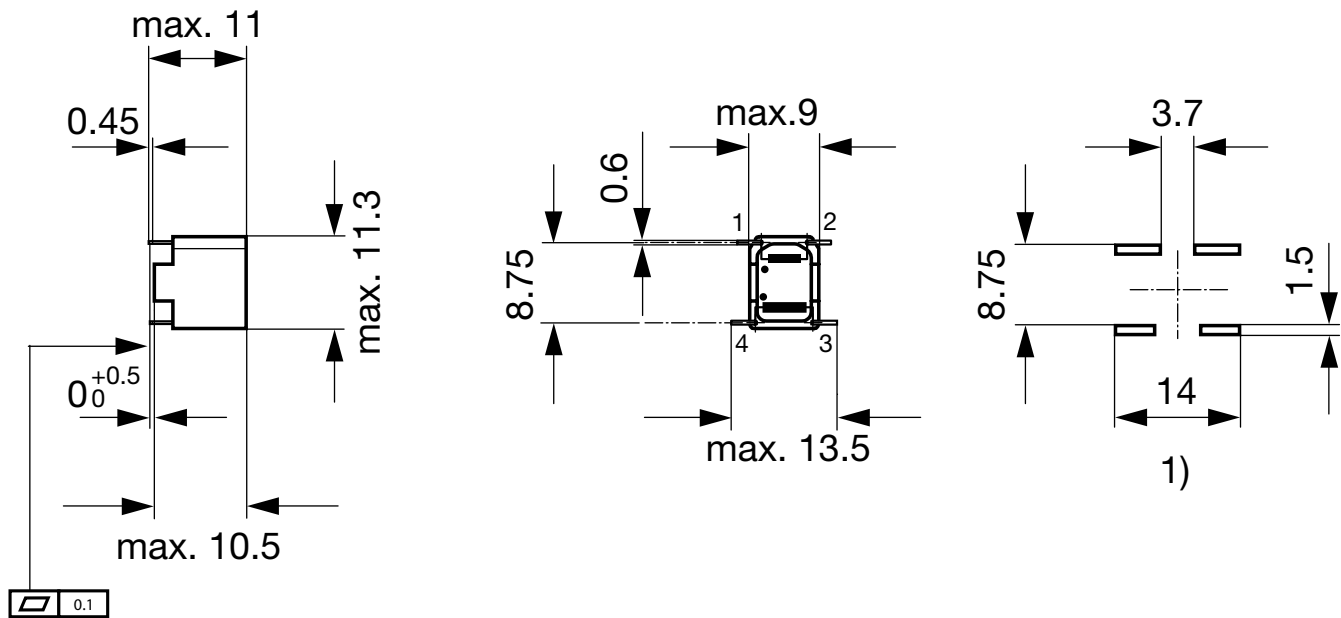
**Compliances**

The product complies with following Guide Lines

Identification	Details	Initiator	Description
	<a href="#">CE declaration of conformity</a>	SCHURTER AG	The CE marking declares that the product complies with the applicable requirements laid down in the harmonisation of Community legislation on its affixing in accordance with EU Regulation 765/2008.
	<a href="#">UKCA declaration of conformity</a>	SCHURTER AG	The UKCA marking declares that the product complies with the applicable requirements laid down in the British Amendment of Regulation (EC) 765/2008.
	RoHS	SCHURTER AG	Directive RoHS 2011/65/EU, Amendment (EU) 2015/863
	China RoHS	SCHURTER AG	The law SJ / T 11363-2006 (China RoHS) has been in force since 1 March 2007. It is similar to the EU directive RoHS.
	REACH	SCHURTER AG	On 1 June 2007, Regulation (EC) No 1907/2006 on the Registration, Evaluation, Authorization and Restriction of Chemicals 1 (abbreviated as "REACH") entered into force.

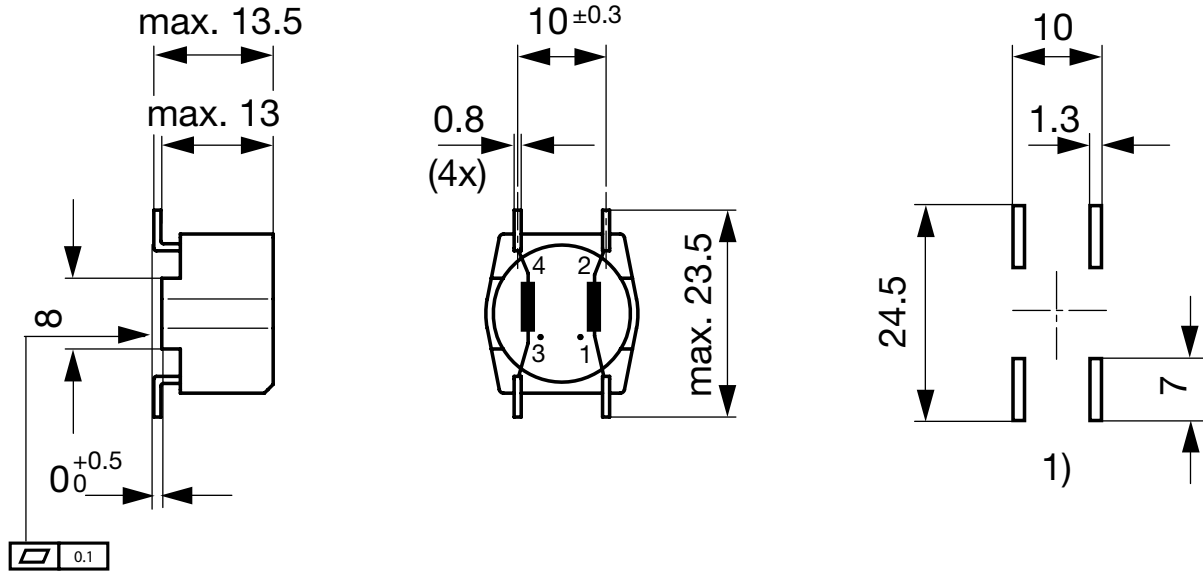
**Dimensions [mm]**

Case 48-2S (SMD-Version)



1) Possible solder land pattern

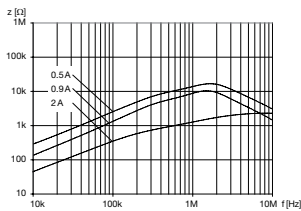
Case 2B



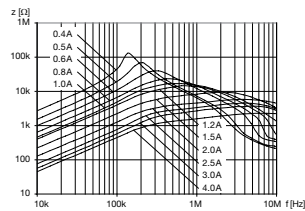
1) Possible solder land pattern

Impedance curves

DKFS-6248-xxxx



DKFS-B22B-xxxx



All Variants

$I_n$ [A]	$L_n$ [mH]	$R_{cu}$ [mΩ]	Tripped Power Dissipation [W]	$f_{RES}$ [MHz]	Weight [g]	Housing	Packing unit [pcs.]	Order Number
0.4	39	1286	0.2	0.15	6 g	2B	100	DKFS-B22B-D439
0.5	27	841	0.21	0.2	6 g	2B	100	DKFS-B22B-D527
0.5	4	500	0.25	1.2	2 g	48-2S	176	DKFS-6248-D504
0.6	15	453	0.16	0.35	6 g	2B	100	DKFS-B22B-D615
0.8	10	336	0.22	0.45	6 g	2B	45	DKFS-B22B-D810
0.9	2	240	0.39	1.6	2 g	48-2S	176	DKFS-6248-0102
1	8.2	269	0.27	0.55	6 g	2B	45	DKFS-B22B-0J2Q
1.2	6.8	219	0.32	0.6	6 g	2B	45	DKFS-B22B-1K6Q
1.5	3.3	122	0.28	1.8	6 g	2B	45	DKFS-B22B-1N3L
2	0.5	50	0.4	4.5	2 g	48-2S	176	DKFS-6248-02D5
2	1.8	57	0.23	3	6 g	2B	45	DKFS-B22B-021Q
2.5	1.5	41	0.26	4.5	6 g	2B	45	DKFS-B22B-5K5J
3	1.2	30	0.27	5	6 g	2B	45	DKFS-B22B-0L2J
4	0.7	18	0.29	6.5	6 g	2B	45	DKFS-B22B-04D7

Most Popular.

---

$I_n$ [A]	$L_n$ [mH]	$R_{cu}$ [mΩ]	Tripped Power Dissipation [W]	$f_{RES}$ [MHz]	Weight [g]	Housing	Packing unit [pcs.]	Order Number
-----------	------------	---------------	-------------------------------	-----------------	------------	---------	---------------------	--------------

Availability for all products can be searched real-time: <https://www.schurter.com/en/info-center/support-tools/stock-check-distributors>

Standard packaging carton box, tape and reel packaging on request

