

1-stage filter with 3-phase CEE connector



See below:

Approvals and Compliances

Description

- 3 Phase CEE Connector with Filter
- Easy and time saving handling

Unique Selling Proposition

- First CEE power entry module with EMC filter
- Easy prewired solution
- Universal flange for front or rear mounting
- Optimal filter position direct on the power entry

Applications

- Protection against interference voltage from the mains
- Possible interferences generated in the equipment are strongly attenuated
- Suitable for equipment with detachable power cord

References

Last order date: 30.03.2025
 Last delivery date: 30.06.2025

Weblinks

[pdf data sheet](#), [html datasheet](#), [General Product Information](#), [Approvals](#), [Distributor-Stock-Check](#), [Detailed request for product](#), [Microsite](#)

Technical Data

Rated Current	16 - 32 A @ Ta 40 °C	Mounting	Screw-on mounting on chassis
Rated voltage	277/480 VAC, 50/60 Hz	Terminal	Screw clamps
Approval for	16 - 32 A / 277/480 VAC	Operating Temperature	-40 °C to 85 °C
Overload Current	1.5 x Ir for 1 minute, per hour	Climatic Category	40/085/21 acc. to IEC 60068-1
Leakage Current	industrial < 10mA (440V / 50Hz)	Degree of Protection	IP20 acc. to IEC 60529
Dielectric Strength	277/480 VAC: 2.25 kVDC between L-L 1.7 kVDC between L-N 3 kVDC between L-PE Test voltage 2 sec	Protection Class	Suitable for appliances with protection class I acc. to IEC 61140
Number of Filter Stages	1-stage	MTBF	> 200'000h acc. to MIL-HB-217 F
Weight	1.4 kg		
Material: Housing	Metal		
Sealing Compound	UL 94V-0		

Approvals and Compliances

Detailed information on product approvals, code requirements, usage instructions and detailed test conditions can be looked up in [Details about Approvals](#)

SCHURTER products are designed for use in industrial environments. They have approvals from independent testing bodies according to national and international standards. Products with specific characteristics and requirements such as required in the automotive sector according to IATF 16949, medical technology according to ISO 13485 or in the aerospace industry can be offered exclusively with customer-specific, individual agreements by SCHURTER.

Approvals

The approval mark is used by the testing authorities to certify compliance with the safety requirements placed on electronic products.

Approval Reference Type: FMAD CEE

Approval Logo	Certificates	Certification Body	Description
	SEMKO Approvals	SEMKO	Certificate Number: SE/09137-4
	UL Approvals	UL	UR File Number: E72928






Application standards

Application standards where the product can be used

Organization	Design	Standard	Description
	Suitable for applications acc.	IEC/UL 62368-1	Audio/video, information and communication technology equipment - Part 1: Safety requirements

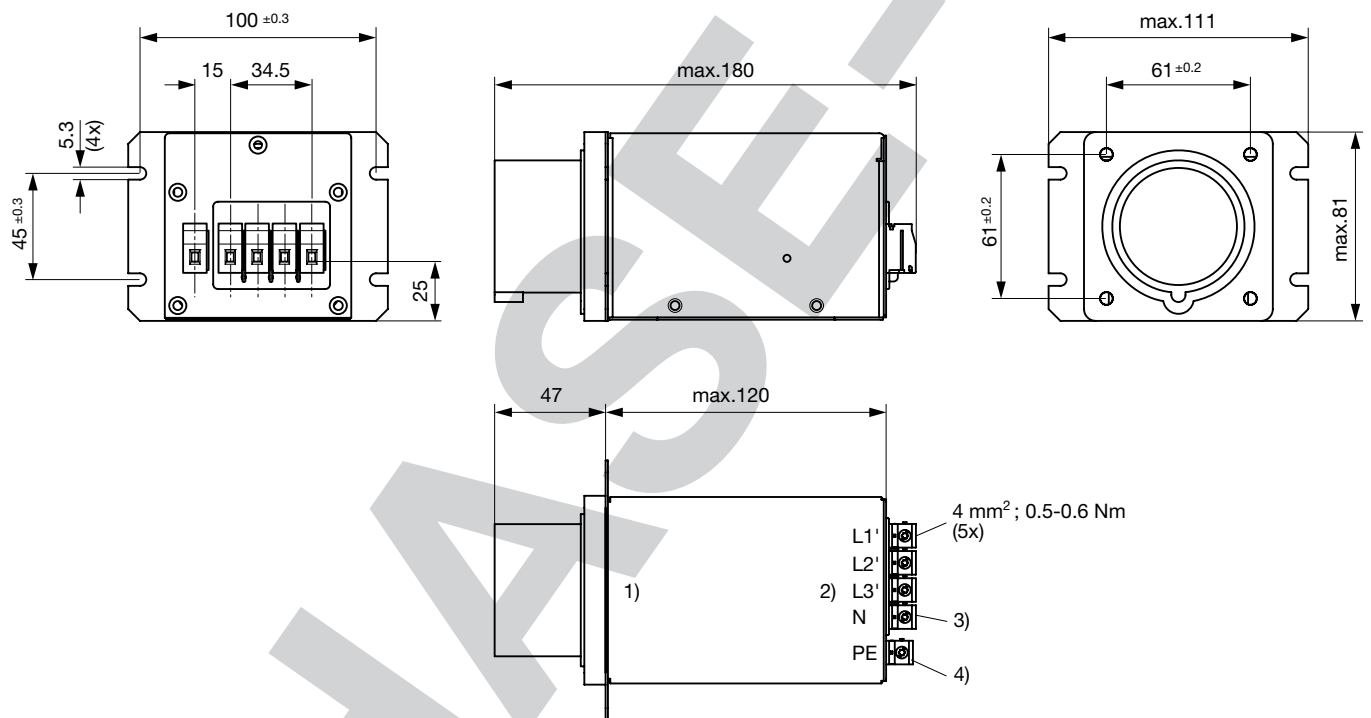
Compliances

The product complies with following Guide Lines

Identification	Details	Initiator	Description
	CE declaration of conformity	SCHURTER AG	The CE marking declares that the product complies with the applicable requirements laid down in the harmonisation of Community legislation on its affixing in accordance with EU Regulation 765/2008.
	UKCA declaration of conformity	SCHURTER AG	The UKCA marking declares that the product complies with the applicable requirements laid down in the British Amendment of Regulation (EC) 765/2008.
	RoHS	SCHURTER AG	Directive RoHS 2011/65/EU, Amendment (EU) 2015/863
	China RoHS	SCHURTER AG	The law SJ / T 11363-2006 (China RoHS) has been in force since 1 March 2007. It is similar to the EU directive RoHS.
	REACH	SCHURTER AG	On 1 June 2007, Regulation (EC) No 1907/2006 on the Registration, Evaluation, Authorization and Restriction of Chemicals 1 (abbreviated as "REACH") entered into force.

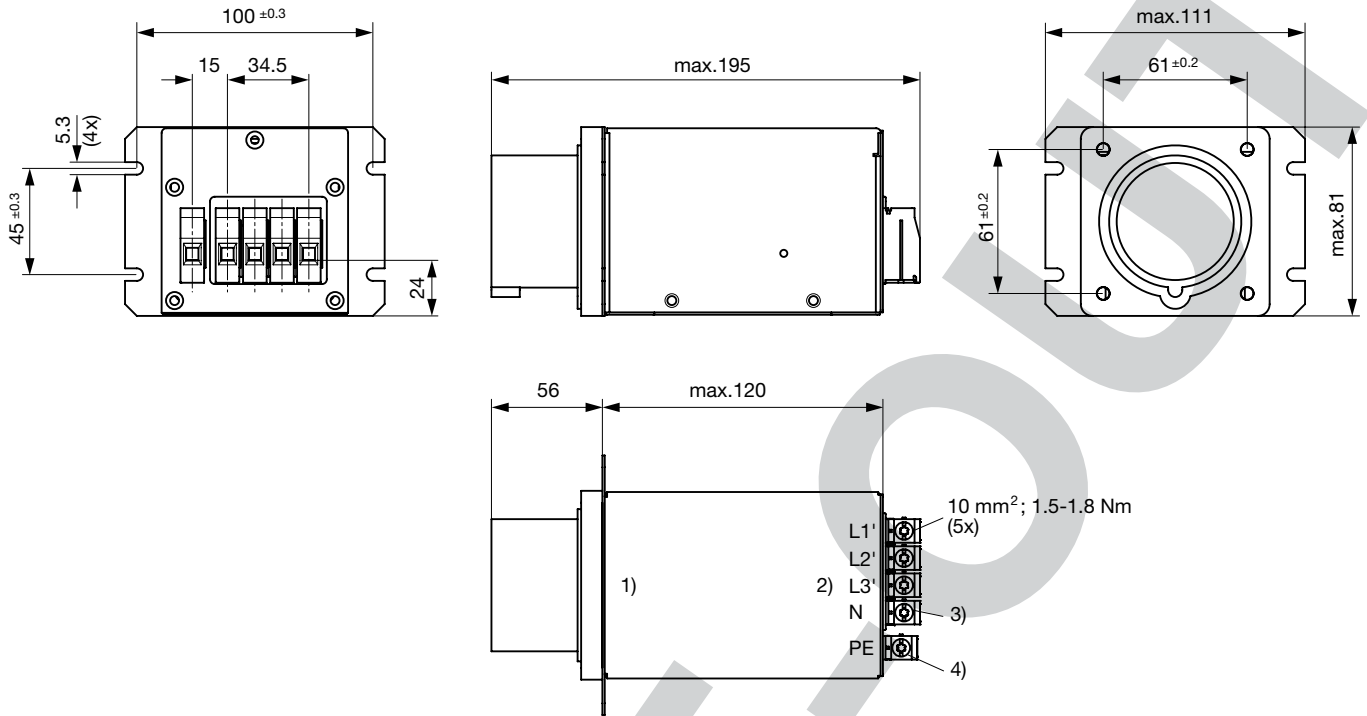
Dimension [mm]

Case QT1



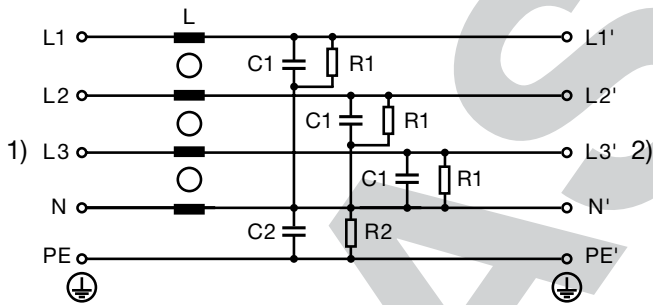
- 1) Line
- 2) Load
- 3) Blue
- 4) Yellow-Green

Case QT3



- 1) Line
- 2) Load
- 3) Blue
- 4) Yellow-Green

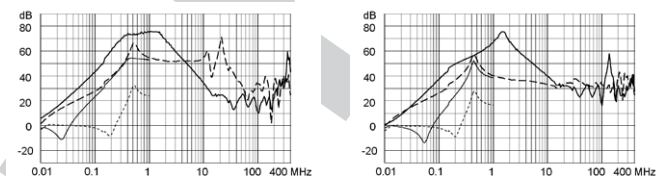
Diagrams



- 1) Line
- 2) Load

Attenuation Loss 0.1/100Ω differential mode 100/0.1Ω differential mode - - - 50Ω differential mode ____ 50Ω common mode
 Industrial version

16 A 30 / 32 A



All Variants

Rated Current @ Ta 50°C (40°C) [A]	Rated Voltage [VAC]	Powerloss @ 25°C, 50Hz [W]	Leakage Current @ 400VAC, 50Hz	Weight [kg]	Screw clamps [mm2] 2)	Housing	Packaging unit	Order Number
16	240/415	5.6	10	1.3 kg	4	QT1	1	FMAD-T4QT-1660.EU
30	277/480	4.3	10	1.4 kg	10	QT3	1	FMAD-T4QT-3060.US
32	240/415	4.9	10	1.4 kg	10	QT3	1	FMAD-T4QT-3260.EU

Availability for all products can be searched real-time: <https://www.schurter.com/en/info-center/support-tools/stock-check-distributors>

1) Leakage current according IEC 60939-1

2) Maximum conductor cross section (wire gauge) to be used; a comparative table for AWG and mm² values can be found in the general product information <https://www.schurter.com/en/FAQ#10>

