

Accessories to TA45



AZZ71



AZZ04



AZZ31, AZZ61

See below:

[Approvals and Compliances](#)

Description

- Covers for IP54 or IP65
- Locking device
- Flat gaskets
- Raised collar

References

Weblinks

[pdf data sheet](#), [html datasheet](#), [General Product Information](#), [Distributor-Stock-Check](#), [Detailed request for product](#), [Product News](#)


Approvals and Compliances

Detailed information on product approvals, code requirements, usage instructions and detailed test conditions can be looked up in [Details about Approvals](#)

SCHURTER products are designed for use in industrial environments. They have approvals from independent testing bodies according to national and international standards. Products with specific characteristics and requirements such as required in the automotive sector according to IATF 16949, medical technology according to ISO 13485 or in the aerospace industry can be offered exclusively with customer-specific, individual agreements by SCHURTER.

Application standards

Application standards where the product can be used

Organization	Design	Standard	Description
	Suitable for applications acc.	IEC/UL 62368-1	Audio/video, information and communication technology equipment - Part 1: Safety requirements

Compliances

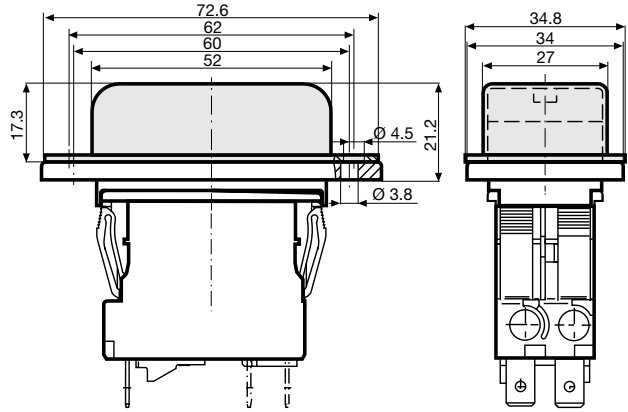
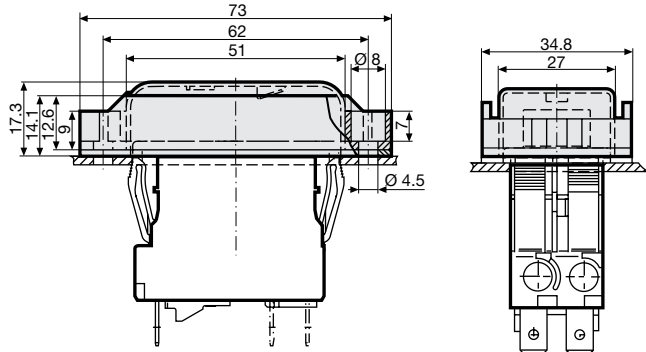
The product complies with following Guide Lines

Identification	Details	Initiator	Description
	REACH	SCHURTER AG	On 1 June 2007, Regulation (EC) No 1907/2006 on the Registration, Evaluation, Authorization and Restriction of Chemicals 1 (abbreviated as "REACH") entered into force.

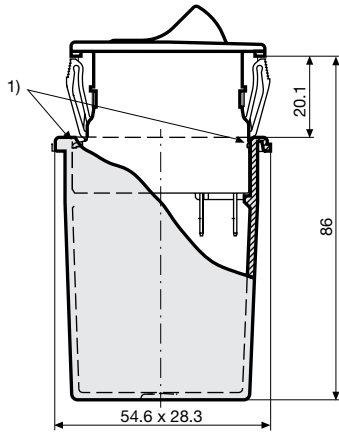
Dimension [mm]

AZZ04

AZZ05

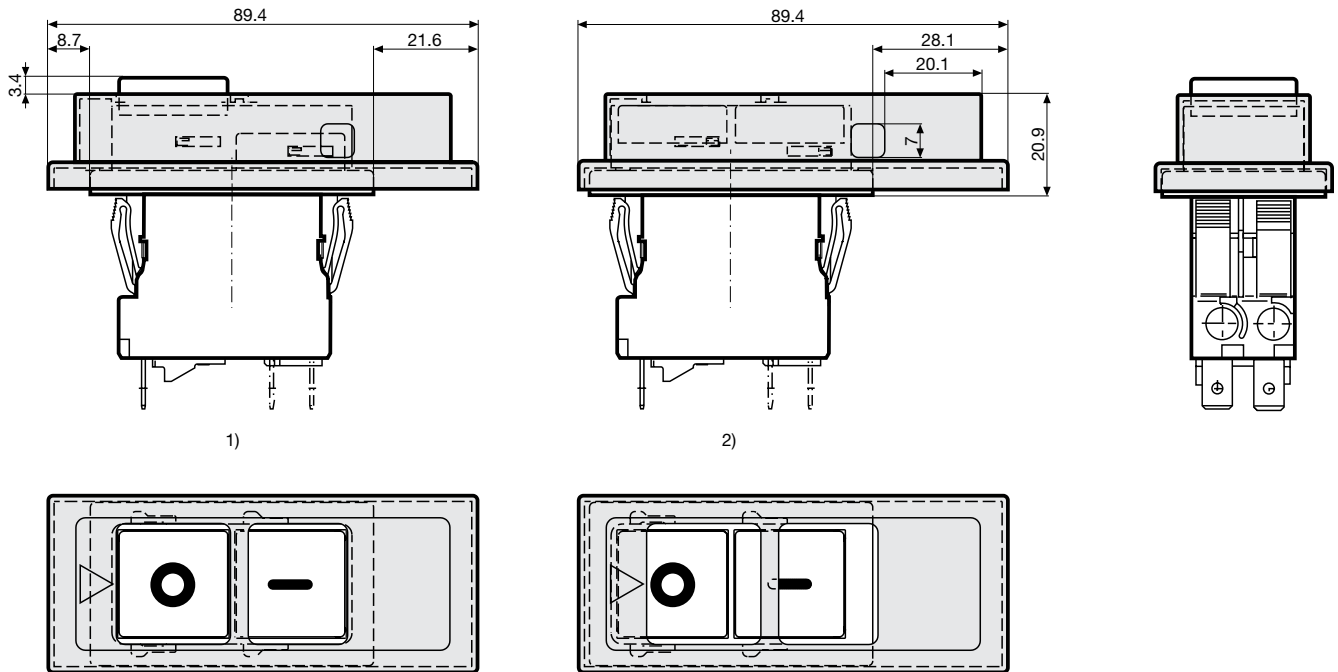


AZZ51



Snap-on fastener

AZZ71



- 1) CBE switchable
- 2) CBE not switchable

All Variants

Suitable for	Type	Designation	Poles	Degree of Protection	Mounting	Packaging unit [PCS]	Order Number
TA45 2 pole Push button	CBE TA45-AZZ71	Locking device black, safety-lock type	2-pole	-	Snap-in version	50	4430.1625
TA45 2 pole Push button, TA45 2 pole Rocker	CBE TA45-AZZ51	Rear cover	2-pole	IP40	Snap-in or flange mounted	50	4430.0519
TA45 2 pole Push button	CBE TA45-AZZ61	Flat gasket	2-pole	IP54	Snap-in version	100	4430.0499
TA45 2 pole Rocker	CBE TA45-AZZ31	Flat gasket	2-pole	IP54	Snap-in version	100	4430.0685
TA45 2 pole Rocker	CBE TA45-AZZ04	Screw-on cover with collar	2-pole	IP65	Snap-in version	100	4430.0695
TA45 2 pole Push button, TA45 3 pole Push button	CBE TA45-AZZ05	Screw-on cover	2 or 3 pole	IP65	Flange type	100	4430.0835

Order numbers 4430.1625 / 4430.0519 / 4430.0499 do not apply to variants with auxiliary contact.

Most Popular.

Availability for all products can be searched real-time: <https://www.schurter.com/en/info-center/support-tools/stock-check-distributors>